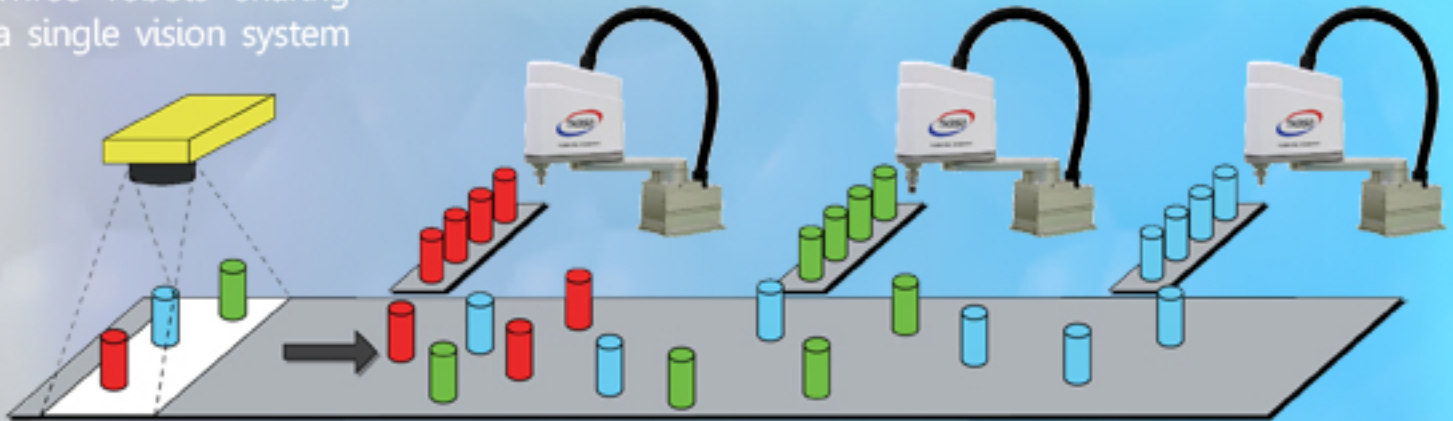




Servi-Tech

INNOVATIVE AUTOMATION

Three robots sharing
a single vision system



The shortest way from an idea to a

PRODUCT

MADE IN 



Sorting & Packing

Food & Pharmaceutical Industries



WWW.SERVI-TECH.CO.IL

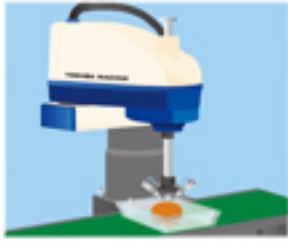


info@servi-tech.co.il



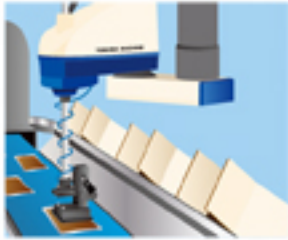
+972 - (0)4 - 9589550

DELICATE AUTOMATION



Food Manufacturing

Used for food manufacturing lines to prepare and transport food.



Food

Used for food boxing lines to automatically box ready-packed food being transported on the belt conveyor into boxes.



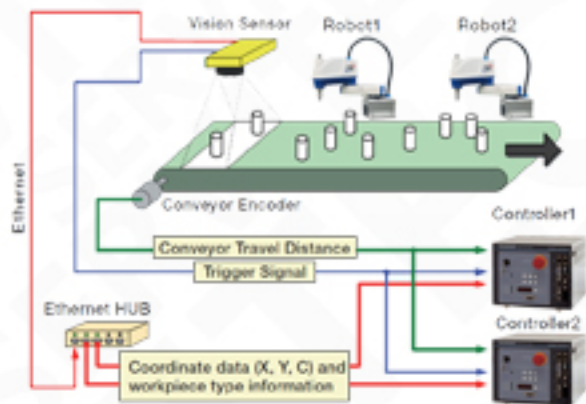
Pharmaceutical and Medical

Used for boxing lines of pharmaceutical and medical products to automatically box finished products being transported on the belt conveyor into boxes.



Medical Examination

Used to automate the processing of a large quantity of specimen samples at medical institutions. Test tubes picked up by the SCARA robot are read by a barcode reader, allowing uniform work and secure repeatability.



Cost reduction by "one camera to one line"

Cost reduction of the system is realized. With an off-the-shelf ethernet Hub, data from one vision sensor can be shared among two or more robot controllers. **Effective in sorting large-quantity and many types of workpieces**

Large quantity and many types Workpieces on a conveyor can be sorted and put in boxes by multiple robots in coordination.

Programming made easy

Special, dedicated commands to realize efficient workpiece-handling, with such functionalities as identifications and duplicate data avoidance.

Damage and breakage of workpieces are prevented by synchronization to the conveyor.



Options

Clean room class 10 (0.1µm – 0.3µm)

TH180 / TH250A / TH350A / TH450A / TH550A / THP550 / TH650A / TH850A / TH1050A

Waterproof Design IP65
THP550 / TH650A / TH850A / TH1050A
(Limitation is imposed on acceleration/ deceleration rates)

Z Axis long stroke (Z)

TH250A / TH350A: 150mm
TH450 / TH550 / THP550: 300mm
TH650A / TH850A / TH1050A: 400mm

Protective bellows for Z axis

TH180 – TH1050A / THP550
Limited acceleration / deceleration

Protective cover for Z axis

TH650A - TH1050A

Ceiling Mount (T)

TH350A - TH1050A / THP550

Optional cable lengths

Between robot and controller:

Maximum 10m (TH180 – TH350A)

Maximum 25m (TH450 – TH1050A)

Teach pendant

Maximum 15m

Additional 5th Axis

(Traverse, Wrist etc...)
TH450 – TH050A